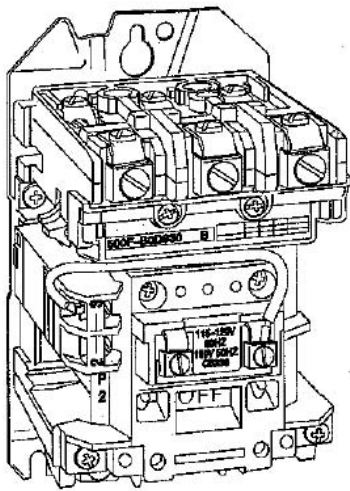
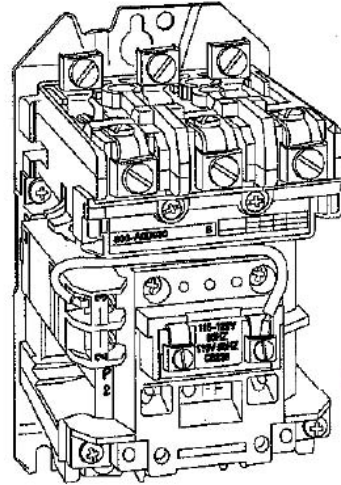


Bulletin 500, 500F Three Phase Full Voltage Non-Reversing NEMA Contactors
 Bulletin 500L, 500FL NEMA Lighting Contactors
 Sizes 0 through 4 (all series), Size 5 (series L, series 1)
 Renewal Parts



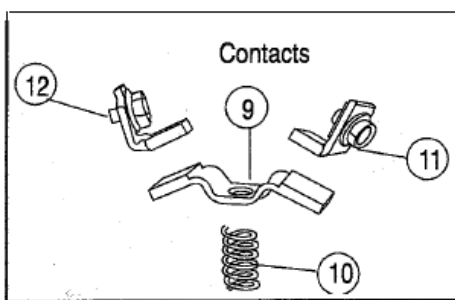
Bulletin 500F - Size 1
 3-Pole Motor Load
 Feed-through Construction
 (Bulletin 500FL similar in appearance)



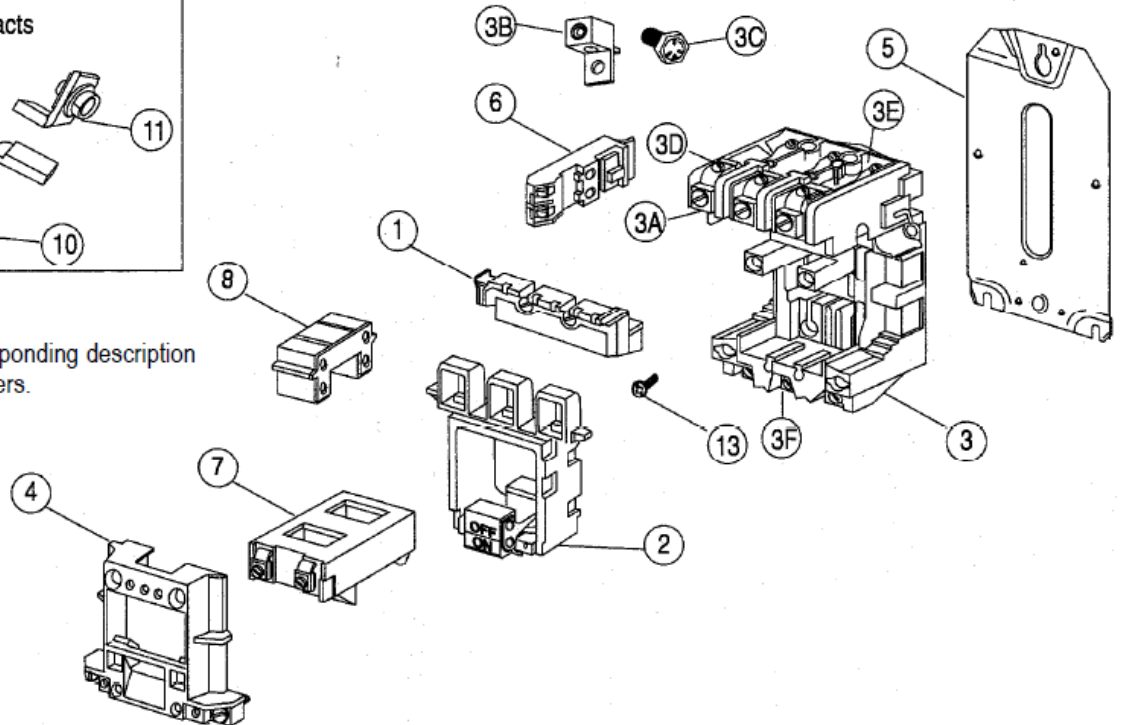
Bulletin 500 - Size 0
 3-Pole Motor Load
 Top Wiring Construction
 (Bulletin 500L similar in appearance)

Figure 1 is an exploded view of the contactor. Primary parts such as coils and contacts are similar in appearance for all sizes. Secondary parts such as mounting plates, etc. will vary in appearance. See page 2 for corresponding description of part and repair part numbers.

Figure 1



Note: See page 3 for corresponding description of part and part numbers.



Renewal Parts, Bulletin 500, 500F, 500L, 500FL Sizes 0 through 4 (all series), Size 5 (series L, series 1)

Renewal Parts for Figure 1

| Item | Description of Repair Part | Size 0 | Size 1 | Size 2 | Size 3 | Size 4 | Size 5 (Ser. L) |
|------|---|--|--------------|--------------------------------------|---|---|-----------------|
| | | Part No. | Part No. | Part No. | Part No. | Part No. | Part No. |
| 1 | Contact Block Cover | 40410-499-01 | 40410-499-02 | 40420-499-01 | 40430-457-51 | 40440-456-51 | 42450-800-01 |
| 2 | Movable Contact Support and Armature Assembly ① | 40410-498-01 Series A 40410-498-03 Series B or later | | 40420-498-01 | 40430-452-51 | 40440-453-51 | 42450-801-01 |
| 3 | Stationary Contact Block and Base Assembly ① | See table | See table | See table | See table | See table | See table |
| 3A | Saddle Clamp Assembly (lug) | Not Available | | Does Not Apply | | | |
| 3B | Lug | See Item 3A | | 1494R-N1 | 40430-461-51 | 40440-461-51 | 42450-804-01 |
| 3C | Bolt | See Item 3A | | M-6289 | M-6532 | M-6834 | Included in 3D |
| 3D | Front Terminal without Contact | (See p. 5 for exploded view of Items 3D - 3F parts for nema sizes 3 through 5) | | | 40430-022-02 | 40440-030-02 | 42450-302-52 |
| 3E | Rear Terminal without Contact | | | | 40430-024-02 | 40440-314-51 | 40440-314-51 |
| 3F | Front/Rear Terminal Screw | | | | ② | | 28168-107-26 |
| 4 | Coil Cover | 40410-496-01 | | 40420-497-01 | 40430-454-51 | 40440-454-51 | 42450-803-01 |
| 5 | Mounting Plate | Not Available | | Not Available | 40430-044-02 | 40440-027-02 | |
| 6 | Auxiliary Contact Block | 595-A (used as a hold-in contact) | | | | | |
| 7 | Operating Coil | See table on page 4 | | | | | |
| 8 | Yoke (50-60 Hz) | 40410-497-01 | | 40410-497-02 | 40430-455-51 | 40440-458-01 | |
| 9 | Movable Contact | Order Single Pole Contact Set | | | | | |
| 10 | Contact Spring | | | | | | |
| 11 | Front Stationary Contact | | | | | | |
| 12 | Rear Stationary Contact | | | | | | |
| 9-12 | Single Pole Contact Set (includes [1] each items 9-12) for Motor Load Contactors (500, 500F) ④ | 40410-331-51 | 40410-331-52 | 40420-322-51 | 40430-300-51 | 40440-300-51 | 42450-805-01 |
| 9-12 | Single Pole Contact Set (includes [1] each items 9-12) for Lighting Load Contactors (500L, 500FL) ④ | 40410-331-53 | 40410-331-54 | 40420-322-52 | 40430-300-52 4 or 5 pole – 40430-300-53 | 40440-325-52 4 or 5 pole – 40440-325-53 | 42450-805-02 |
| 13 | Mtg Screw w/Washer (3 req'd) | 28169-100-26 (#8-32 x 5/8 in.) | | 28169-101-26 (#10-32 x 23/32 in.) | 40430-460-51 (1/4 in. - 28 X 1-1/8 in.) | 40440-459-51 (5/16 in. - 24 x 1-1/4 in.) | |

① Less Contacts, order Single Pole Contact Set as required.

② Front and rear terminal assembly not available as a renewal part. Replace the complete stationary contact block and base assembly.

③ Front Terminal Screw Part Number is 28168-503-26 and Rear Terminal Screw Part Number is 28168-502-6.

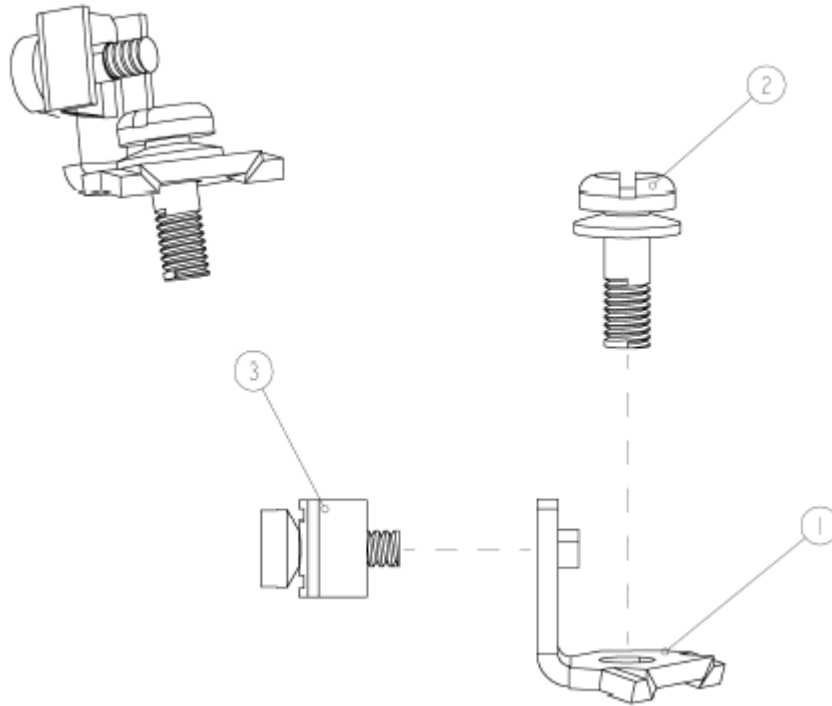
④ Order as many single pole contact kits as needed.

Stationary Contact Block and Base Assembly Repair Part Numbers (item 3 in the exploded view drawing)

| NEMA Size / Amp Rating | Top Wired Contactors (500, 500L) | | Feed Through Contactors (500F, 500FL) | |
|------------------------|----------------------------------|---------------|---------------------------------------|---------------|
| | 2 Power Poles | 3 Power Poles | 2 Power Poles | 3 Power Poles |
| 0 (20A) | Not Available | Not Available | Not Available | 40410-494-03 |
| 1 (30A) | Not Available | 40410-495-04 | Not Available | Not Available |
| 2 (60A) | Not Available | Not Available | Not Available | 40420-495-02 |
| 3 (100A) | Not Available | Not Available | Not Available | 40430-462-52 |
| 4 (200A) | Not Available | Not Available | Not Available | 40440-462-52 |
| 5 (300A) | Not Available | Not Available | 42450-802-02 | 42450-802-04 |

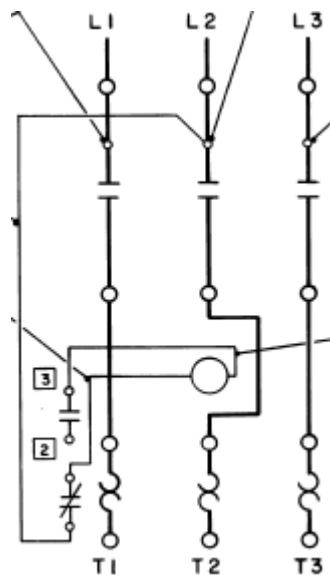
Renewal Parts, Bulletin 500, 500F, 500L, 500FL Sizes 0 through 4 (all series), Size 5 (series L, series 1)

Renewal Parts for Control Circuit Terminals



| NEMA Size | Mounting Terminal (item 1) | Mounting Screw (Item 2) | Saddle Clamp Assembly (item 3) |
|-----------|----------------------------|-------------------------|--------------------------------|
| 0 - 2 | 40410-053-02 or 599-CT02 | 599-CT02 | 28192-076-33 or 599-CT02 |
| 3 | 40430-047-02 or 599-CT3 | M-6289 or 599-CT3 | 28192-076-33 or 599-CT3 |
| 4 - 5 | 40440-035-02 or 599-CT4 | 28168-676-26 or 599-CT4 | 28192-076-33 or 599-CT4 |

Note: part numbers 599-CT02, 599-CT3, 599-CT4 contain items 1 through 3.



Renewal Parts, Bulletin 500, 500F, 500L, 500FL Sizes 0 through 4 (all series), Size 5 (series L, series 1)

Operating Coils

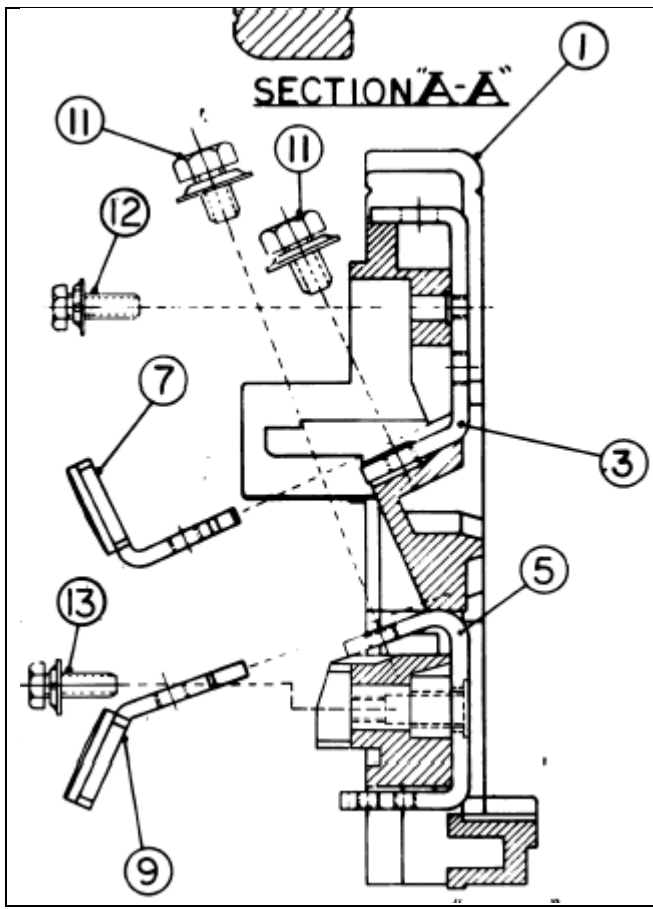
Select the coil replacement part number based on the number of switching poles supplied with the contactor.

| Catalog Number Suffix Code | AC Volts | Hz | Coil Repair Part Number | | | | |
|----------------------------|-------------------------|----|-------------------------|------------------------|---------------|---------------|----------------|
| | | | Size 0 - 1 15 - 30A | Size 0 - 1 15 - 30A | Size 2 60A | Size 2 60A | Size 3 100A |
| | | | 2-3 poles | 4-5 poles | 2-3 poles | 4-5 poles | 2-3 poles |
| J | 24 | 60 | CB013 | CB013 | CC013 | CC013C | CD013 |
| K | 24 | 50 | CB013 | CB013 | CC013 | CC013C | CD013 |
| D | 115-120 60Hz, 110V 50Hz | | CB236 | CB236 | CC236 | CC236C | CD236 |
| S | 110-115 | 50 | CB236 | CB236 | CC236 | CC236C | CD236 |
| H | 200-208 | 60 | CB249 | CB249 | CC249 | CC249C | CD249 |
| P | 220-230 | 50 | CB254 | CB254 | CC254 | CC254C | CD254 |
| A | 230-240 | 60 | CB254 | CB254 | CC254 | CC254C | CD254 |
| T | 230-240 | 50 | CB254 | CB254 | CC254 | CC254C | CD254 |
| F | 277 | 60 | CB260 | CB260 | CC260 | CC260C | CD260 |
| N | 380 | 50 | CB354 | CB354C | CC354 | CC354C | CD354 |
| KN | 380-400 | 50 | Not Available | Not Available | Not Available | Not Available | Not Available |
| I | 415 | 50 | CB357 | CB357C | CC357 | CC357C | CD357 |
| Q | 440-460 | 50 | CB360 | CB360 | CC360 | NA | CD360 |
| B | 460-480 | 60 | CB273 | CB273 | CC273 | CC273C | CD273 |
| M | 500 | 50 | Not Available | Not Available | Not Available | Not Available | Not Available |
| C | 575-600 | 60 | CB278 | CB278 | CC278 | NA | CD278 |

| Catalog Number Suffix Code | AC Volts | Hz | Coil Repair Part Number | | | |
|----------------------------|-------------------------|----|-------------------------|----------------|----------------|---------------------------|
| | | | Size 3 100A | Size 4 200A | Size 4 200A | Size 5 (Series L) 300A |
| | | | 4 - 5 poles | 2 - 3 poles | 4 - 5 poles | All poles |
| J | 24 | 60 | CD013C | Not Available | Not Available | Not Available |
| K | 24 | 50 | CD013C | Not Available | Not Available | Not Available |
| D | 115-120 60Hz, 110V 50Hz | | CD236C | CE236 | CE236C | AF236 |
| S | 110-115 | 50 | CD236C | CE236 | CE236C | AF236 |
| H | 200-208 | 60 | CD249C | CE249 | CE249C | AF249 |
| P | 220-230 | 50 | CD254C | CE254 | CE254C | AF254 |
| A | 230-240 | 60 | CD254C | CE254 | CE254C | AF254 |
| T | 230-240 | 50 | CD254C | CE254 | CE254C | AF254 |
| F | 277 | 60 | CD260C | CE260 | Not Available | AF260 |
| N | 380 | 50 | CD354C | CE354 | Not Available | AF354 |
| KN | 380-400 | 50 | Not Available | Not Available | Not Available | Not Available |
| I | 415 | 50 | CD357C | CE357 | CE357C | AF357 |
| Q | 440-460 | 50 | | CE360 | NA | AF360 |
| B | 460-480 | 60 | CD273C | CE273 | CE273C | AF273 |
| M | 500 | 50 | Not Available | Not Available | Not Available | Not Available |
| C | 575-600 | 60 | CD278C | CE278 | NA | AF278 |

Renewal Parts, Bulletin 500, 500F, 500L, 500FL Sizes 0 through 4 (all series), Size 5 (series L, series 1)

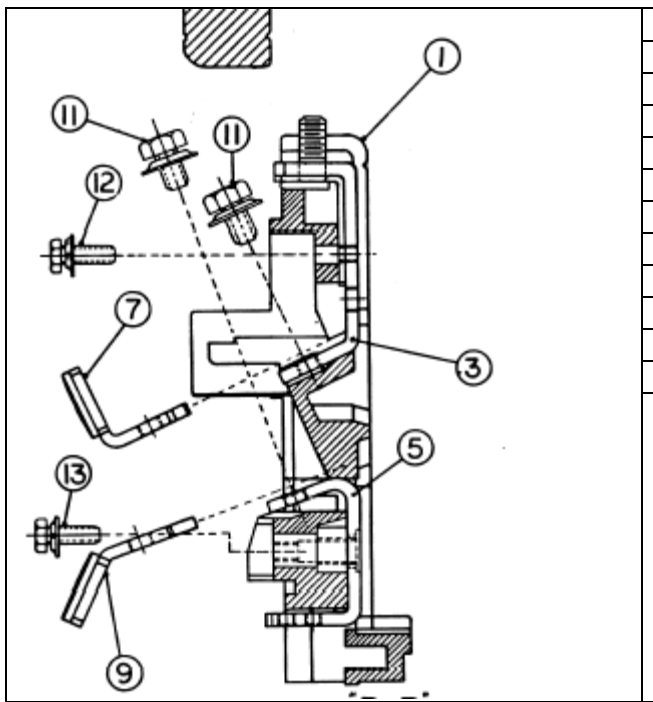
Renewal Parts for Arc Hood Assembly Components – For Nema Sizes 3 and 4



| Repair Parts for Nema Size 3 Starters | | |
|---------------------------------------|------------------------------|--|
| Item # | Description | A-B Part Number ① |
| 1 | Arc Hood | Order Stationary Contact Block & Base Assembly (see p.2) |
| 3 | Front Terminal | 40430-022-02 |
| 5 | Rear Terminal | 40430-024-02 |
| 7 | Front Stationary Contact | Order Single Pole Contact Kit |
| 9 | Rear Stationary Contact | 40430-300-51 |
| 11 | Screw for Front/Rear Contact | 28168-601-26 ② |
| 12 | Screw for Front Terminal | 28168-107-26 |
| 13 | Screw for Rear Terminal | 28168-107-26 |
| Repair Parts for Nema Size 4 Starters | | |
| 1 | Arc Hood | Order Stationary Contact Block & Base Assembly (see p.2) |
| 3 | Front Terminal | 40440-030-02 |
| 5 | Rear Terminal | 40440-314-51 |
| 7 | Front Stationary Contact | Order Single Pole Contact Kit |
| 9 | Rear Stationary Contact | 40440-300-51 |
| 11 | Screw for Front/Rear Contact | 28168-676-26 ② |
| 12 | Screw for Front Terminal | 28168-502-26 |
| 13 | Screw for Rear Terminal | 28168-502-26 |

① Each part number listed below contains one piece.
 ② The screw for the front and rear stationary contacts is included in single pole contact kit part number(s) listed above.

Renewal Parts for Arc Hood Assembly Components – For Nema Size 5



| Item # | Description | A-B Part Number ① |
|--------|------------------------------|--|
| 1 | Arc Hood | Order Stationary Contact Block & Base Assembly (see p.2) |
| 3 | Front Terminal | 42450-302-51 |
| 5 | Rear Terminal | 40440-314-51 |
| 7 | Front Stationary Contact | Order Single Pole Contact Kit |
| 9 | Rear Stationary Contact | 42450-805-01 |
| 11 | Screw for Front/Rear Contact | 28168-676-26 ② |
| 12 | Screw for Front Terminal | 28168-503-26 |
| 13 | Screw for Rear Terminal | 28168-502-26 |

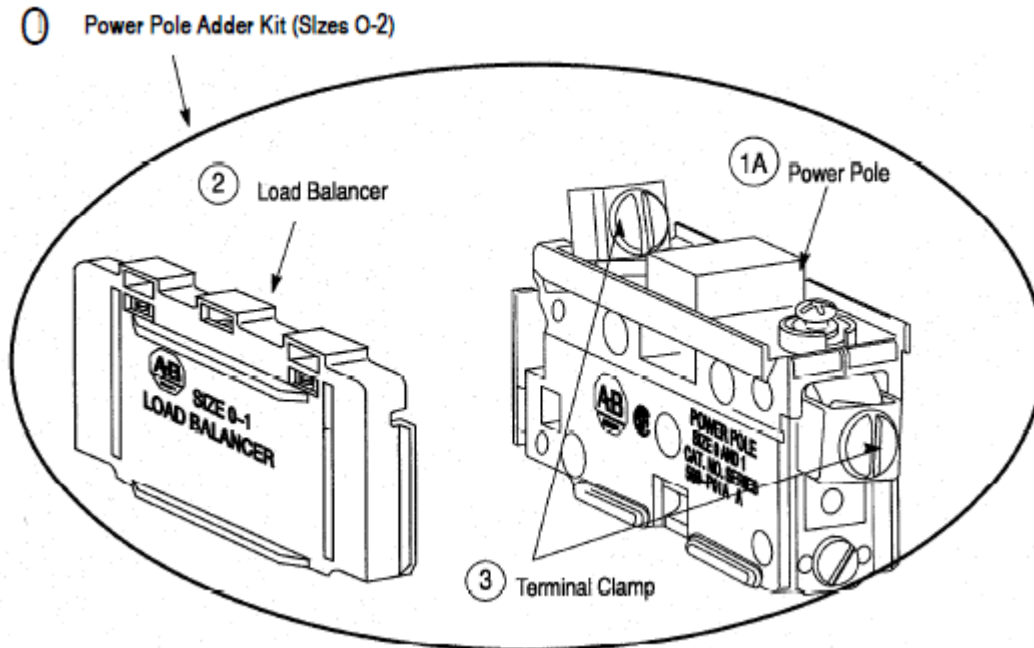
① Each part number listed below contains one piece.
 ② The screw for the front and rear stationary contacts is included in single pole contact kit part number 42450-805-01.

Renewal Parts, Bulletin 500, 500F, 500L, 500FL Sizes 0 through 4 (all series), Size 5 (series L, series 1)

Repair Parts for Power Pole Adder Kits for Bulletin 500 and 500F Devices, Sizes 0-2

The N.O. and N.C. power poles may be field-added to all Size 0-4 Bulletin 500 line contactors and starters except the Bulletin 500L and 500FL. Both 2 and 3 pole contactors will accept a maximum of two adder poles and 4 pole devices will accept one adder pole. Each adder pole kit includes a mechanical load balancer to be used when only one power pole is added.

When power poles are added to Size 2, 3, or 4 (2 or 3 pole devices), the operating coil must be changed. See page 4 and refer to the listing for the size of your contactor and order the operating coil listed for a 4-5 pole device.



| Item in Drawing | 1 | 2 | 3 |
|------------------------------------|----------------------------------|---------------------------|--------------------------------|
| Part Description | Power Pole Adder Kit Part Number | Load Balancer Part Number | Lug/Terminal Clamp Part Number |
| 1 N.O. Power Pole for Size 0-1 | 599-P01A | 40410-326-51 | 40410-342-51 |
| 1 N.C. Power Pole for Size 0-1 | 599-P01B | 40410-326-51 | 40410-342-51 |
| 1 N.C.L.B. Power Pole for Size 0-1 | 599-P01BL | 40410-326-51 | 40410-342-51 |
| 1 N.O. Power Pole for Size 2 | 599-P2A | Not Available | 40420-330-51 |
| 1 N.C. Power Pole for Size 2 | 599-P2B | Not Available | 40420-330-51 |
| 1 N.C.L.B. Power Pole for Size 2 | 599-P2BL | Not Available | 40420-330-51 |

Repair Parts for Power Pole Adder Kits for Bulletin 500L and 500FL 4 Pole Devices, Sizes 0-2

Note - Load balancer not required for 500L and 500FL lighting contactors

| Item in Drawing | | 1 | 3 |
|--------------------------------|----------------|------------------------------------|----------------------------------|
| Part Description | Rating in Amps | Power Pole Adder Kit Part Number ① | Lug/Terminal Clamp Part Number ② |
| 1 N.O. Power Pole for Size 0-1 | 15/20 | 40410-452-04 | Not Available |
| 1 N.O. Power Pole for Size 0-1 | 30 | 40410-452-08 | Not Available |
| 1 N.O. Power Pole for Size 2 | 60 | 40420-452-04 | 1494R-N1 |

① Includes contacts and terminal clamp assembly or lug. Contacts are not replaceable in these part numbers.

② 15/20 amp and 30 amp devices use a terminal clamp assembly; 60amp devices use a lug

Renewal Parts, Bulletin 500, 500F, 500L, 500FL Sizes 0 through 4 (all series), Size 5 (series L, series 1)

Repair Parts for Power Pole Adder Kits for Bulletin 500 and 500F Devices Sizes 3-5

When a single power pole adder is added to a contactor, a load balancer must be added to the opposite side of the contactor. Each kit contains one power pole adder, one load balancer, one adder pole contact carrier, and mounting hardware. When installing two power pole adders to a single contactor, install a power pole adder on each side and discard load balancers.

Figure 5
Right Side Assembly

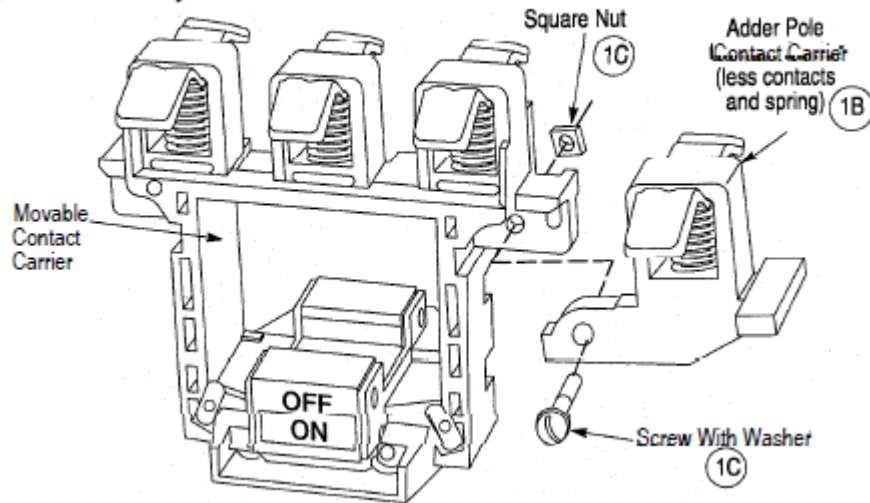
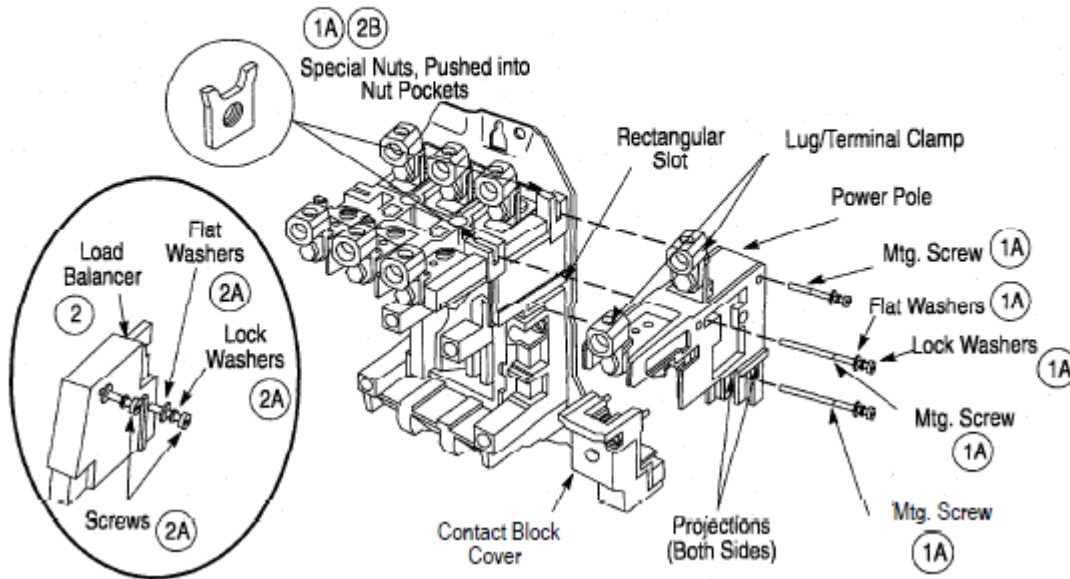


Figure 6
Right Side Installation



| Item | 1 | 1A | 1B | 1C | 2 | 2A | 2B |
|-------------------------|-----------------------------|--|-----------------------------------|--|------------------------------------|-----------------------------------|--------------------|
| Part Description | Power Pole Adder Kit | Hardware for Power Pole Adder Kit | Adder Pole Contact Carrier | Hardware for Adder Pole Contact Carrier | Load Balancer Less Hardware | Hardware for Load Balancer | Special Nut |
| 1 N.O. Size 3 | 599-P3A | 40430-801-51 | 40430-456-51 | 40430-800-51 | 40430-458-51 | 40430-802-52 | 40430-017-02 |
| 1 N.C. Size 3 | 599-P3B | 40430-801-51 | 40430-456-51 | 40430-800-51 | 40430-458-51 | 40430-802-52 | 40430-017-02 |
| 1 N.O. Size 4 | 599-P4A | 40440-801-52 | 40440-457-51 | 40440-800-51 | 40440-455-51 | 40440-802-52 | 40430-017-02 |
| 1 N.C. Size 4 | 599-P4B | 40440-801-52 | 40440-457-51 | 40440-800-51 | 40440-455-51 | 40440-802-52 | 40430-017-02 |
| 1 N.O. Size 5 | 42450-600-01 | 40440-801-52 | 40440-457-51 | 40440-800-51 | 40440-455-51 | 40440-802-52 | 40430-017-02 |

Power Pole Adder Kit includes power pole plus items 1A, 1B, 2, 2A, 2B

Item 1B is offered less contacts and mounting hardware

Renewal Parts, Bulletin 500, 500F, 500L, 500FL Sizes 0 through 4 (all series), Size 5 (series L, series 1)

Repair Parts for Power Pole Adder Kits for Bulletin 500L and 500FL Devices Sizes 3-5

Note - Load balancer not required for 500L and 500FL lighting contactors

Figure 5
Right Side Assembly

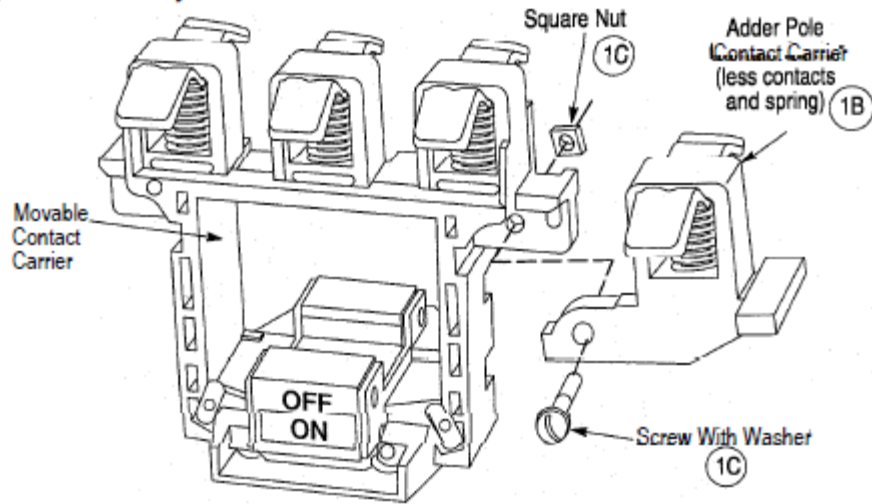
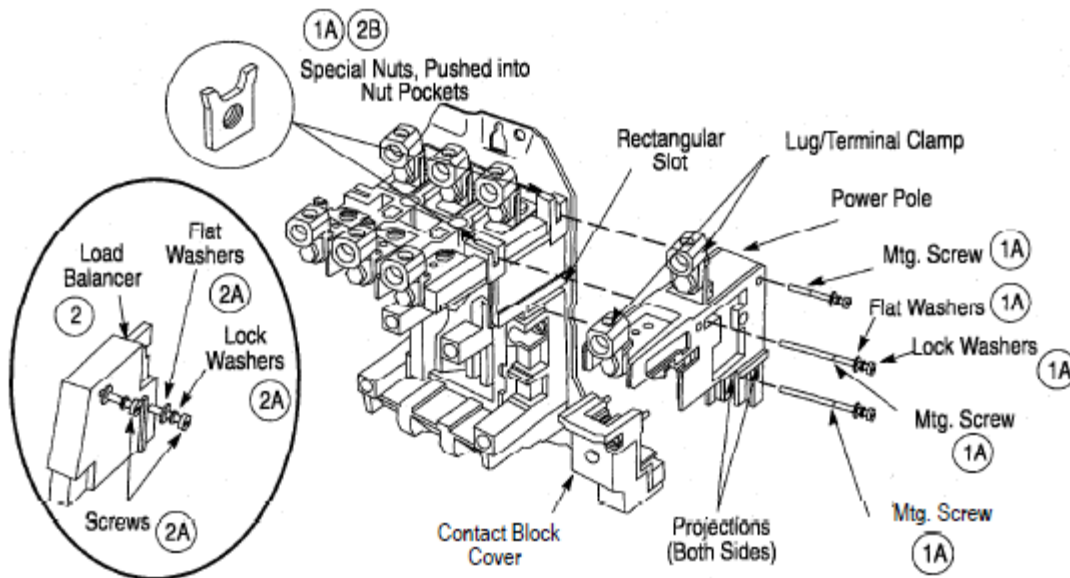


Figure 6
Right Side Installation

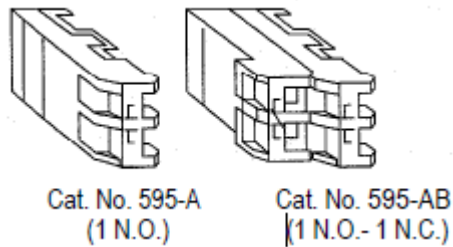


| Item | | 1 | 1A | 1B | 1C | 2B |
|------------------|----------------|------------------------|-----------------------------------|----------------------------|---|--------------|
| Part Description | Rating in Amps | Power Pole Adder Kit ① | Hardware for Power Pole Adder Kit | Adder Pole Contact Carrier | Hardware for Adder Pole Contact Carrier | Special Nut |
| 1 N.O. Size 3 | 100 | Not Available | 40430-801-51 | 40430-456-51 | 40430-800-51 | 40430-017-02 |
| 1 N.O. Size 4 | 200 | 40440-452-51 | 40430-801-51 | 40430-456-51 | 40430-800-51 | 40430-017-02 |
| 1 N.O. Size 5 | 300 | 42450-600-01 | 40440-801-52 | 40440-457-51 | 40440-800-51 | 40430-017-02 |

① Offered less contacts and lugs. Includes items 1A and 1 B

Renewal Parts, Bulletin 500, 500F, 500L, 500FL Sizes 0 through 4 (all series), Size 5 (series L, series 1)

Repair Parts for Auxiliary Contact Blocks

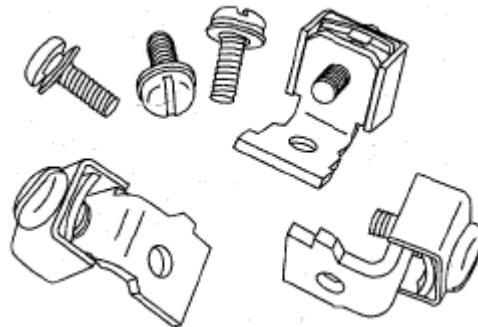


Bulletin 500 contactors are designed to accept up to four Bulletin 595 Auxiliary Contact Blocks, which can provide up to six auxiliary contacts of the user's choice. Auxiliary contact blocks mount beneath the coil cover at positions marked P1, P2, P3, or P4 on the coil cover. They can be mounted without the use of tools or additional hardware.

| Auxiliary Contact Block Description | Auxiliary Contact Block Part Number |
|---|-------------------------------------|
| One Normally Open (1 N.O.) | 595-A |
| One Normally Closed (1 N.C.) | 595-B |
| One Normally Closed Late Break (1 N.C.L.B.) | 595-BL |
| One Normally Open – One Normally Closed (1 N.O. – 1 N.C.) | 595-AB |
| Two Normally Open (2 N.O.) | 595-AA |
| Two Normally Closed (2 N.C.) | 595-BB |

Repair Parts for Top Wiring Kits

Available as an accessory, the top wiring kit consists of three power lugs for the purpose of making extra connections to the load side of the 500, 500F contactor. A second set of overload relays can be wired to these lugs if two motors are being controlled by a single contactor.



| NEMA Size | Top Wiring Kit Part Number |
|-----------|----------------------------|
| 0 - 1 | 599-TW01 |
| 2 | 599-TW2 |
| 3 | 599-TW3 |
| 4 | 599-TW4 |
| 5 | 599-TW5P |

Renewal Parts, Bulletin 500, 500F, 500L, 500FL Sizes 0 through 4 (all series), Size 5 (series L, series 1)

Repair Parts for Top Wiring Kits

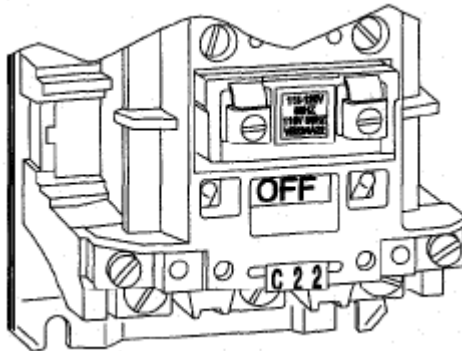


Available as an accessory, the tie point terminal provides a convenient terminal point for control circuit wiring. One tie point may be added to the left side of the coil cover. Bulletin 500 contactors are not shipped with tie points, but provision is made to add one or two.

| NEMA Size | Tie Point Part Number |
|------------|-----------------------|
| 0, 1 and 2 | 599-TP02 |
| 3, 4 and 5 | 599-TP34 |

Repair Parts for Device Markers

Available as an accessory, Device Markers snap easily into the coil cover of contactors for component identification. A maximum of five markers will fit on each contactor. One Device Marker contains a single digit or letter.



| NEMA Size | Device Marker Part Number |
|------------|---------------------------|
| Size 0 - 5 | 599-DM①5 |

- ① To complete the part number insert in the third position the desired numeric symbol (0-9) or one of the following letters: A, B, C, D, E, F, H, L, M, P, R, S, T, U, or W.